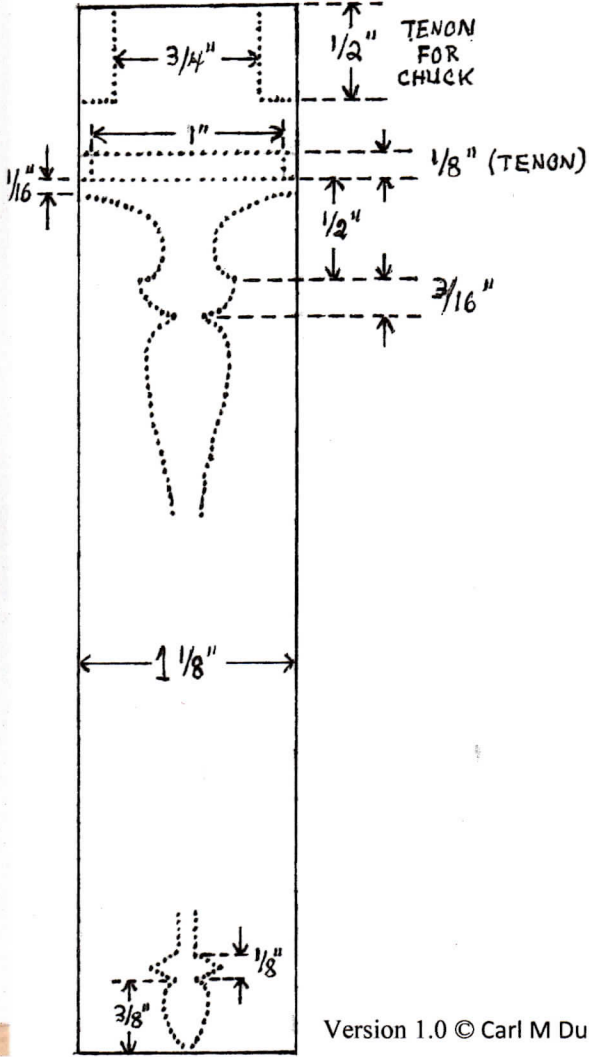
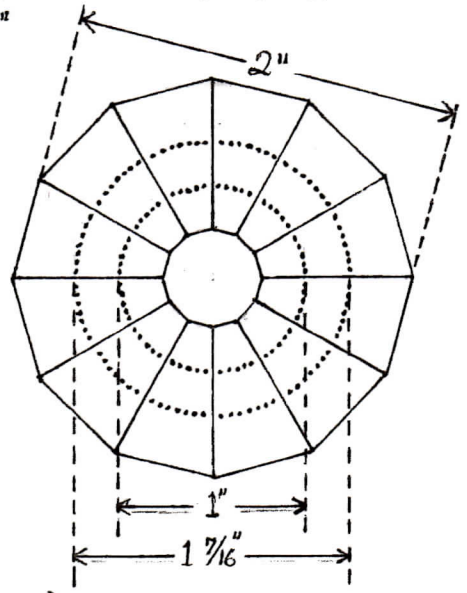
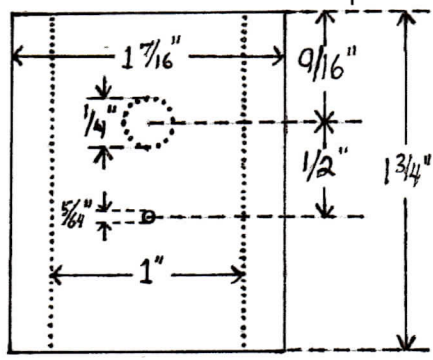


Stave-Constructed Birdhouse Ornament

- Stave Blank = 2" Diameter with 12 Staves
- Stave Width = Circumference / # of Staves
= (Diameter * π) / # of Staves
= (Diameter * 3.1415) / # of Staves
= (2" * 3.1415) / 12 = 0.52" \approx 1/2"
- Stave Length = 1 3/4"
- Stave Thickness = 3/4"
- Blade Angle = (360 / # of Staves) / 2
= (360 / 12) / 2 = 15°



Blank Dimensions

- Top : 1 3/4" square by 2 1/4"
- Body : 1 7/16" diameter by 1 3/4"
(from stave blank)
- Finial : 1 1/8" square by 6" to 7"